

5 - DRAWINGS

5.1 – DIMENSIONS



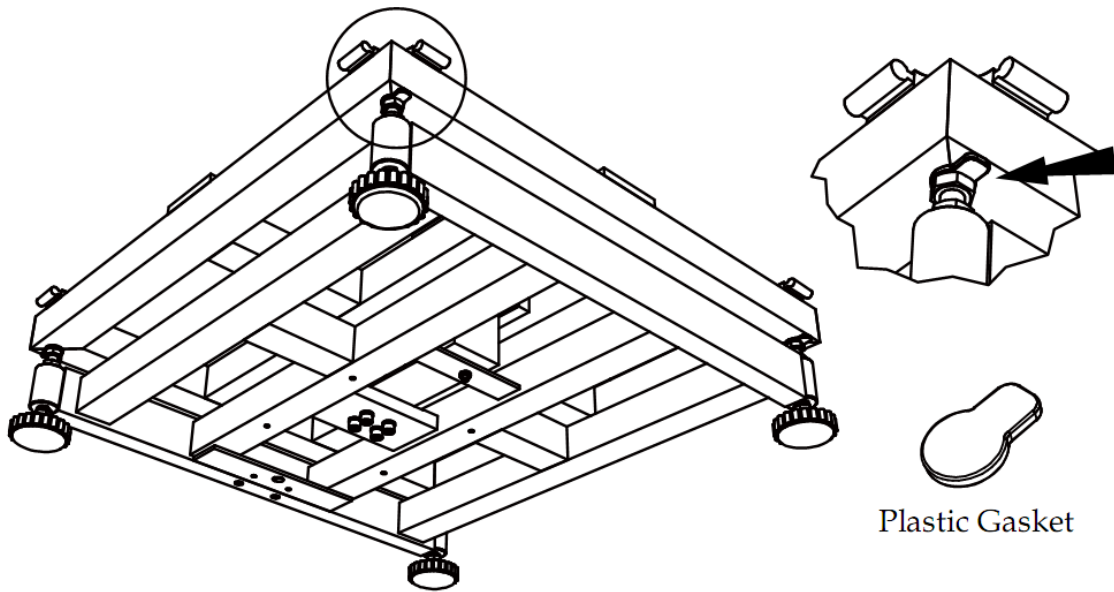
FIG.2

5.2 - TABLE OF PB SERIES PLATFORM

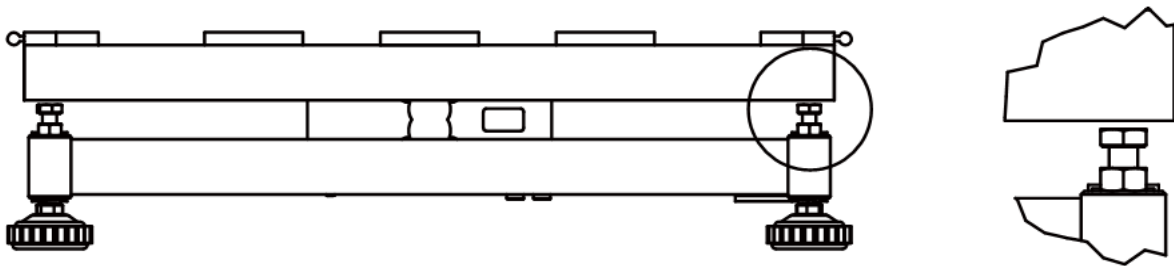
PLATFORM MODEL	MAX LOAD kg	DIMENSION mm		
		A	B	C
PBT	6 / 15 / 30	300	300	130
PBQ	30 / 60 / 150	400	400	140
PBX	60 / 150 / 300	600	600	150
PBE	300 / 600	800	800	165

N.B. All dimensions can be changed without notice.

5.3 - INSTALLATION



To protect the platform during the transport, 4 plastic gaskets are installed above the limiting bolt.



Before using the scale, remove the 4 plastic gaskets.