

RCA

"RCA" SERIES COLUMN LOAD CELLS



Analogue version of compression load cells, 4000 divisions, ideal for CE-M approved weighbridges, tanks, silos, etc. STAINLESS STEEL execution, with IP68 protection, fitted with "anti rat" shielded cable.

CAPACITIES (kg): 30000.

OIML R60. C4 precision class.

Stainless steel. IP68 protection.

Working in cooperation with:

SC DATA SPEED SRL

STR DONATH N. 115/33 - 400331 - JUD. CLUJ
Tel. 0040-264566473 Fax. 0040-364-815440
office@cantare.com.ro

The best solution
for advanced industrial
applications

MAIN FEATURES

- C4 PRECISION CLASS.
- MADE IN STAINLESS STEEL.
- IP68 PROTECTION.
- 30.000 kg CAPACITY.
- "ANTI RAT" 20 m SHIELDED CABLE.
- TEST CERTIFICATE AVAILABLE UPON REQUEST.

TECHNICAL FEATURES

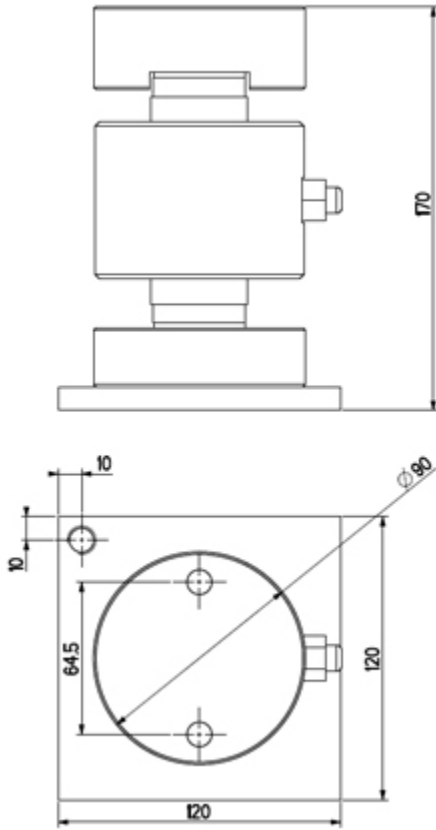
- Full Scale Output: 2mV/V +/- 0,1%
- Combined error of Full Scale Output: $\pm 0,017\%$
- Operating temperature range: $-20^{\circ}\text{C}/+60^{\circ}\text{C}$
- Input resistance: $815 \pm 20 \text{ Ohm}$
- Output resistance: $700 \pm 5 \text{ Ohm}$
- Safe overload: 150% F.S.
- 4-pole armoured cable.

ATEX Version

- The CCATEX certificate makes the load cell suitable for use in hazardous areas with protection methods according to:
ATEX II 1G Ex ia IIC T6 (Ta -20°C to $+40^{\circ}\text{C}$) TX (Ta -20°C to $+65^{\circ}\text{C}$) Ga
ATEX II 1D Ex ta IIIC TX $^{\circ}\text{C}$ (Ta -20°C to $+40^{\circ}\text{C}$) TX $^{\circ}\text{C}$ (Ta -20°C to $+65^{\circ}\text{C}$) Da IP65.
The certificate includes the manual and the ATEX CE conformity declaration (available in EN, DE, FR, and IT).
- IMPORTANT: the certificate refers to the single load cell. For systems with more load cells, it is necessary to order one certificate for each load cell.

| <u>Wiring Code</u> | |
|--------------------|-----------------|
| <u>Colour</u> | <u>Function</u> |
| WHITE | OUTPUT + |
| RED | INPUT + |
| YELLOW | OUTPUT - |
| BLUE | INPUT - |

DETAIL 1



Technical drawing in mm, with KRCA kit.

VERSIONS

Versioni disponibili

| Codice | Max (kg) |
|---------|----------|
| RCA30C4 | 30000 |



www.diniargeo.com



“YOUR WORLDWIDE PARTNER FOR WEIGHING,”

DINI ARGEO
FRANCE sarl
Nogent-sur-Marne

DINI ARGEO
GMBH
Sinsheim - Germany

DINI ARGEO
UK Ltd
Taunton - United Kingdom

DINI ARGEO WEIGHING
INSTRUMENTS Ltd
Shanghai - China

DINI ARGEO
WEIGHBRIDGES
Calto (RO) – Italy



HEAD OFFICE
Via Della Fisica, 20
41042 Spezzano di Fiorano Modena - Italy



SC DATA SPEED SRL

STR DONATH N. 115/33 - 400331 - JUD. CLUJ

Tel. 0040-264566473 Fax. 0040-364-815440

office@cantare.com.ro

SALES AND TECHNICAL ASSISTANCE SERVICE