

RCD

"RCD" SERIES COLUMN LOAD CELLS



Digital version of compression load cells, 4000 divisions, ideal for CE-M approved weighbridges, tanks, silos, etc. STAINLESS STEEL execution, with IP68 protection, fitted with "anti rat" shielded cable.

CAPACITIES (kg): 30000.

OIML R60. C4 precision class.

Stainless steel. IP68 protection.

Working in cooperation with:

SC DATA SPEED SRL

STR DONATH N. 115/33 - 400331 - JUD. CLUJ
Tel. 0040-264566473 Fax. 0040-364-815440
office@cantare.com.ro

The best solution
for advanced industrial
applications

MAIN FEATURES

- C4 PRECISION CLASS.
- MADE IN STAINLESS STEEL.
- IP68 PROTECTION.
- 30.000 kg CAPACITY
- "ANTI RAT" 15 m SHIELDED CABLE.
- TEST CERTIFICATE AVAILABLE UPON REQUEST.

TECHNICAL FEATURES

- 200.000d full load capacity resolution
- Combined error of Full Scale Output: $\pm 0,017\%$
- Operating temperature range: $-20^{\circ}\text{C}/+60^{\circ}\text{C}$
- Power supply voltage from 7,5 to 16 VDC
- Conversion: 24 bit
- RS485 connection.
- Safe overload: 150% F.S.
- 6-pole armoured cable.

WIRING CODE

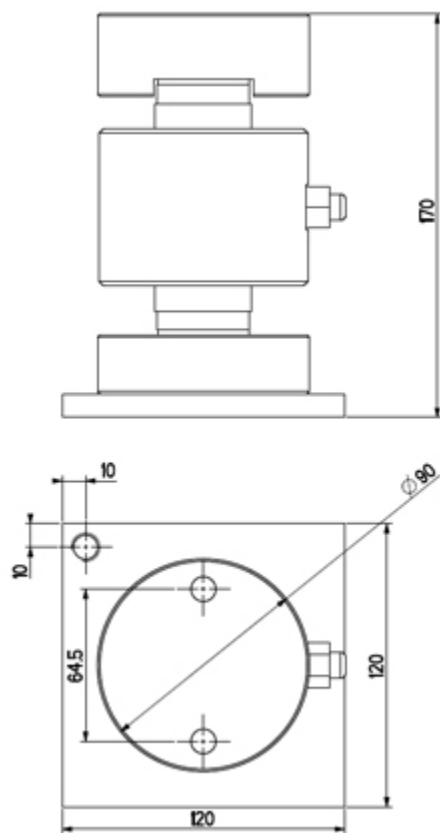
- Wiring code of the standard cable colours.

RCD cell connections	
<i>Colour</i>	<i>Function</i>
Input	
WHITE	INPUT +
BROWN	INPUT -
Input signal	
GREY	A +
PINK	B-
Output signal	
GREEN	A +
YELLOW	B-

EXTRAS AVAILABLE

- Assembly kit.

DETAIL 1



Technical drawing in mm, with KRCA kit.

VERSIONS

Versioni disponibili

Codice	Max (kg)
RCD30C4	30000



www.diniargeo.com



“YOUR WORLDWIDE PARTNER FOR WEIGHING,”

DINI ARGEO
FRANCE sarl
Nogent-sur-Marne

DINI ARGEO
GMBH
Sinsheim - Germany

DINI ARGEO
UK Ltd
Taunton - United Kingdom

DINI ARGEO WEIGHING
INSTRUMENTS Ltd
Shanghai - China

DINI ARGEO
WEIGHBRIDGES
Calto (RO) – Italy



HEAD OFFICE
Via Della Fisica, 20
41042 Spezzano di Fiorano Modena - Italy



SC DATA SPEED SRL

STR DONATH N. 115/33 - 400331 - JUD. CLUJ

Tel. 0040-264566473 Fax. 0040-364-815440

office@cantare.com.ro

SALES AND TECHNICAL ASSISTANCE SERVICE