

Type BM24R Load Cell



Short description



- Stainless steel IP68 low profile load cell
- Hermetically sealed
- Suitable for hopper, platform and pallet scales
- Integrated static overload protection up to 13t



test certificate no. TC7865 Revision 1
C of C no R60/2000-NL1-11.21



Certificate no. 11-103A1

Available models

Capacity	Accuracy	Full article description
60kg	C3/C4/C5	BM24R-C3/C4/C5-60kg-3G
130kg	C3/C4/C5	BM24R-C3/C4/C5-130kg-3G
250kg	C3/C4/C5	BM24R-C3/C4/C5-250kg-3G
280kg	C3/C4/C5	BM24R-C3/C4/C5-280kg-3G
500kg	C3/C4/C5	BM24R-C3/C4/C5-500kg-3G
1t	C3/C4/C5	BM24R-C3/C4/C5-1t-3G
2t	C3/C4/C5	BM24R-C3/C4/C5-2t-6G
3.5t	C3/C4/C5	BM24R-C3/C4/C5-3.5t-6G
5t	C3/C4/C5	BM24R-C3/C4/C5-5t-6G
10t	C3/C4/C5	BM24R-C3/C4/C5-10t-15G
13t	C3/C4/C5	BM24R-C3/C4/C5-13t-15G
28t	C3/C4/C5	BM24R-C3/C4/C5-28t-15G
60t	C3/C4/C5	BM24R-C3/C4/C5-60t-15G

Specifications and dimensions are subject to change without notice and do not constitute any liability whatsoever.

Type BM24R Load Cell

Detailed specifications BM24R

Accuracy class		OIML R60 C3 / OIML R60 C4 / OIML R60 C5					
Output sensitivity (= FS)	mV/V	1.0±0.01	1.75±0.2	2.0±0.1	2.0±0.1	2.0±0.1	2.0±0.1
Maximum capacity (E _{max})	t	0.06, 0.13, 0.28	0.25	0.5,1, 2, 3.5, 5, 10	13	28	60
Max.number of load cell intervals	n _{LC}	C3= 3000 / C4= 4000 / C5= 5000					
Ratio of min. LC verification interval	Y = E _{max} / v _{min}	C3 = 10000 / C4= 16000 / C5= 16000					
Combined Error	%FS	C3= ≤± 0.0230 / C4= ≤± 0.0174 / C5= ≤± 0.0140					
Minimum dead load	Of E _{max}	0%					
Safe overload	of E _{max}	150 %					
Ultimate overload	of E _{max}	300 %					
Zero balance	of FS	< ± 1.0 %					
Excitation, recommended voltage	V	10 ~ 15					
Excitation maximum	V	30					
Input resistance	Ω	1260 ± 100	1100 ± 100	1100 ± 100	1200 ± 100	1075 ± 100	1350 ± 200
Output resistance	Ω	1020 ± 0.5	1025 ± 25	1025 ± 25	1000 ± 0.5	930 ± 0.5	1175 ± 0.5
Insulation resistance	MΩ	≥5000 (at 50VDC)					
Compensated temperature	°C	-10 ~+40					
Operating temperature	°C	-35 ~ +70					
Storage temperature	°C	-50 ~ +90					
Element material		Stainless steel					
Ingress Protection (acc. to EN 60529)		IP68					
Recommended torque on fixation	Nm	M5: 3.5		M6:10			

Wiring

Wiring:

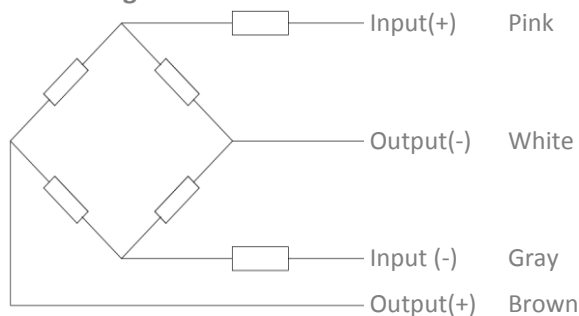
Shielded, 4 conductor cable.

Cable diameter: Ø6mm.

Standard cable length for 60kg – 1t: 3m, for 2t – 5t: 6m and for 10t – 60t: 15m.

Shield connected to element.

4-wire diagram

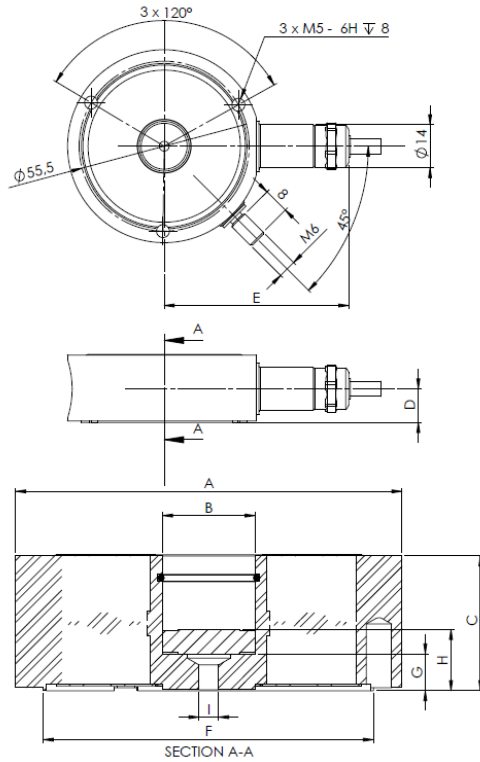


Specifications and dimensions are subject to change without notice and do not constitute any liability whatsoever.

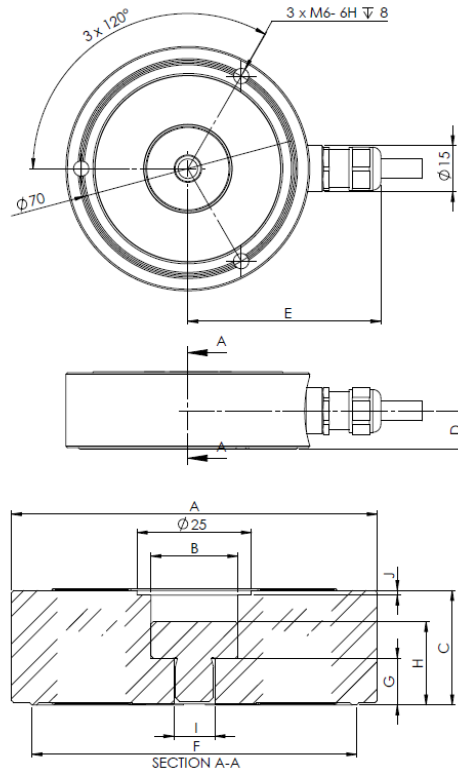
Type BM24R Load Cell

Dimensions in mm

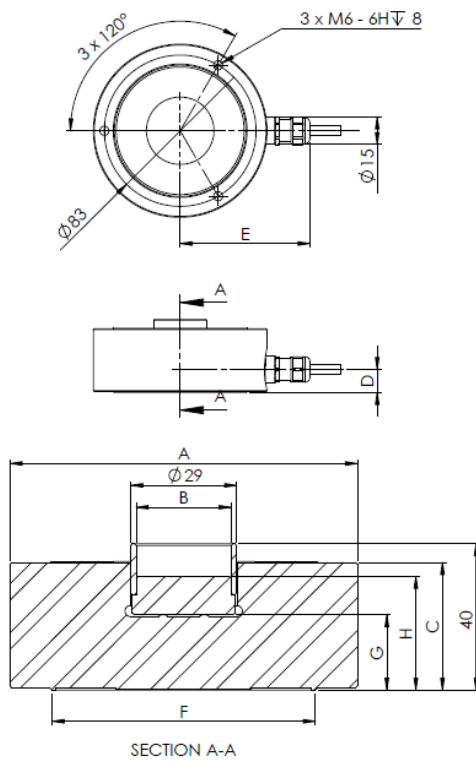
0.06, 0.13, 0.28t



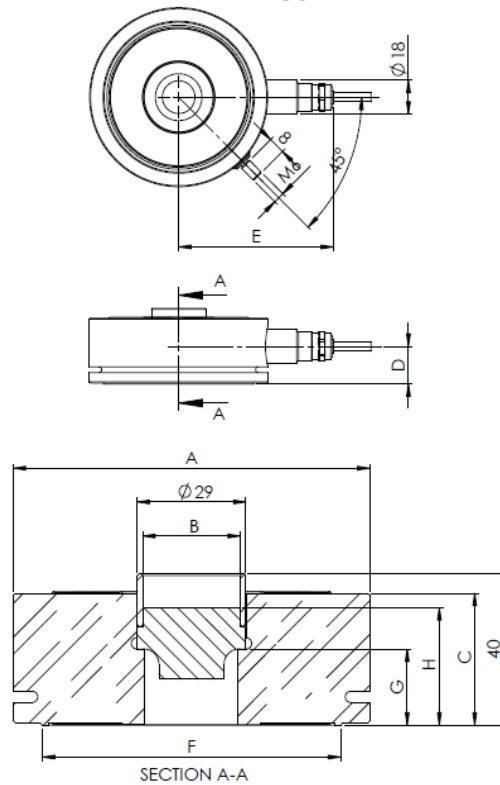
0.25, 1, 2, 3.5, 5t



10t



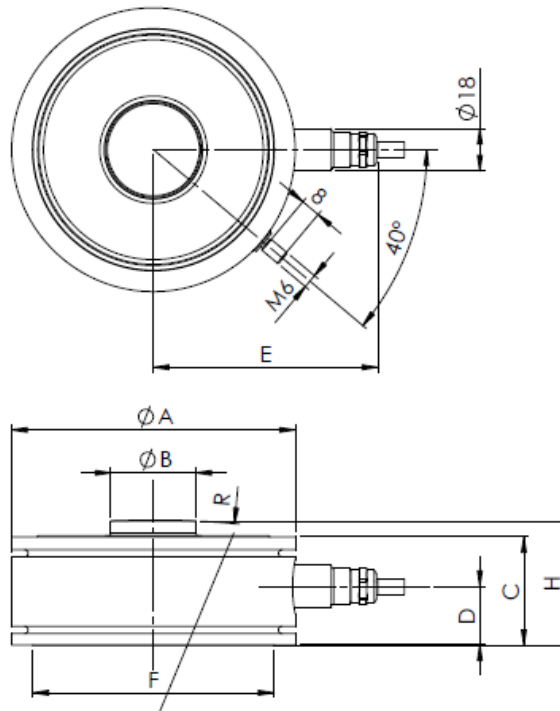
13t



Specifications and dimensions are subject to change without notice and do not constitute any liability whatsoever.

Type BM24R Load Cell

28, 60t



Dimension Capacity	ϕA	ϕB	C	D	E	ϕF	G	H	I	J	R
0.06t, 0.13t, 0.28t	63	15.1	22	11	60	54	6	10	$\phi 3.2$	-	-
0.25t, 0.5t, 1t	80	19	25	12.5	65	71	10	18	M10	1	-
2t, 3.5t, 5t	80	19	30	12.5	65	71	10	18	$\phi 15$	6	-
10t	95	26	35	12.5	72	75	20.7	31.2	-	-	-
13t	95	26	35	20	85	79.5	20	31	-	-	-
28t	120	35.9	46	25	94	102	-	53	-	-	400
60t	140	47.9	62	34	104	124	-	69	-	-	600

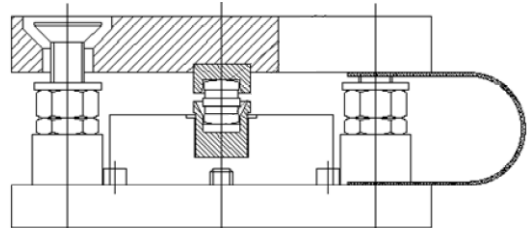
Specifications and dimensions are subject to change without notice and do not constitute any liability whatsoever.

Type BM24R Load Cell

Available accessories

BM-24-401/402/403-0.25-13t tankmount

- Stainless steel mount
- Easy load cell access
- Easy installation
- Lift-off protection
- Controlled horizontal movement



Specifications and dimensions are subject to change without notice and do not constitute any liability whatsoever.