

## Short description



- Fit for 4-wire load cells
- Easy installation
- Cast aluminium housing
- Protective coating

## Available models

Model	Amount of connections	Full article description	Part number
JB05A	4	JB05A-4	3005030
	6	JB05A-6	3005040
	8	JB05A-8	3005050

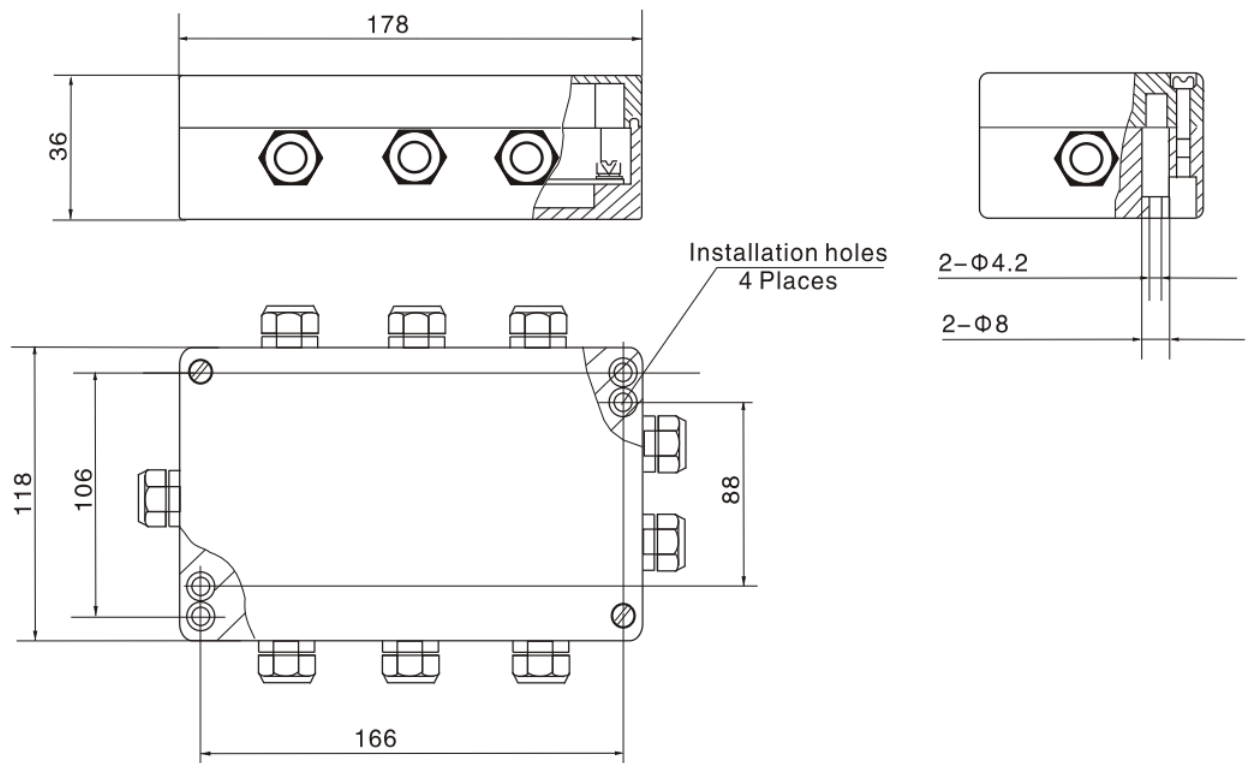
## Detailed specifications JB05A

Load cell output resistance range	$\Omega$	340 to 1100
Load cell input resistance range	$\Omega$	340 to 1100
Excitation, recommended voltage	V(AC&DC)	5 to 17
Excitation, maximum	V(AC&DC)	18
Load cell sensitivity range	mV/V	0.6 – 3.0
Cable $\varnothing$	mm	4.8 to 6
Correction method		Signal trim
Temperature range, operating	$^{\circ}\text{C}$	-35 ~ +65
Ingress protection		IP65
Housing connected to shield		Yes
External grounding		Yes

Specifications and dimensions are subject to change without notice and do not constitute any liability whatsoever.

# Type JB05A

Dimensions in mm



Specifications and dimensions are subject to change without notice and do not constitute any liability whatsoever.