



# SM-5100

Scale Printer

## Powerful Features in a Compact Scale Printer



SM-5100B



SM-5100P



SM-5100EV

***Searching for  
a New Balance***

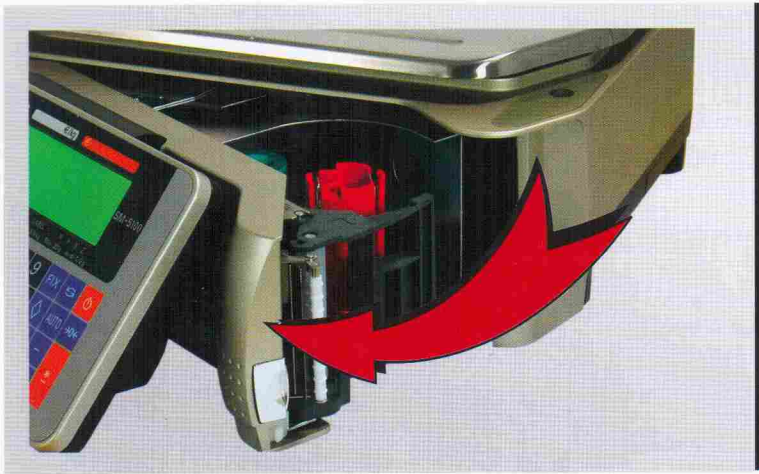
**SM-5100** —

# versatile scale printer for store operations

**Weigh quickly , print rapidly to increase throughput.**

**SM-5100 designed to meet the weighing needs of any retail store.**

**This Series provides the best value for your store's operation.**



## Easy to Change Label & Receipt

Changing the thermal paper roll is easy through the large opening in the scale housing which enables quick loading of the label or receipt roll.

## Compact Design for Save Space

Effective use of sales space, shorten the distance of communication with customer.



## Free Angle of Operator Panel and Water Resistant Keyboard

Free angle adjustment of operator panel for easy operation. Water resistant membrane keyboard stands up to frequent use.



## **Large & Clear Display**

Customer and operators can easily read the bright alpha-numeric LCD with back-light.

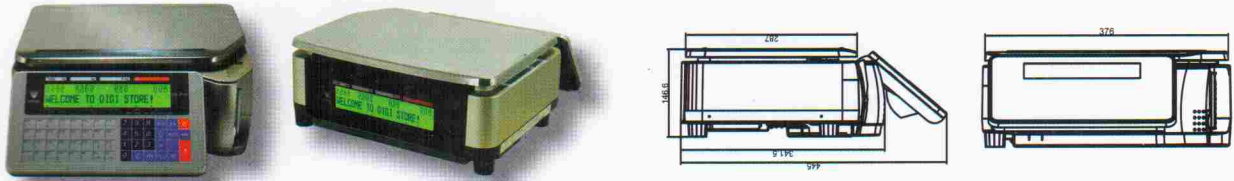
Large characters display the product name or scroll messages for promotions or store specials.

## **POWERFUL COMMUNICATION CAPABILITIES STANDARD**

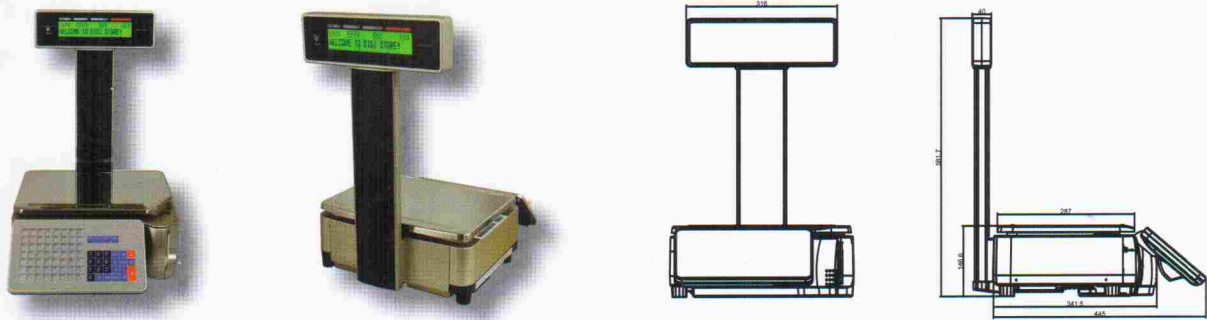
- Through the standard Ethernet or RS-232 interface, inter-scale and store controller communication is readily available.
- With the Wireless LAN network interface, scale installation locations can quickly change without added costs.  
(wireless network card is optional.)
- Quick weight stabilization and fast label / receipt printing allows the operator to serve more customers and increase volume of the operation.
- Barcode Scanner can also be connected to enhance the operation.
- Nutritional facts and traceability information can be easily designed and printed for better customer service.

## External Dimensions (mm)

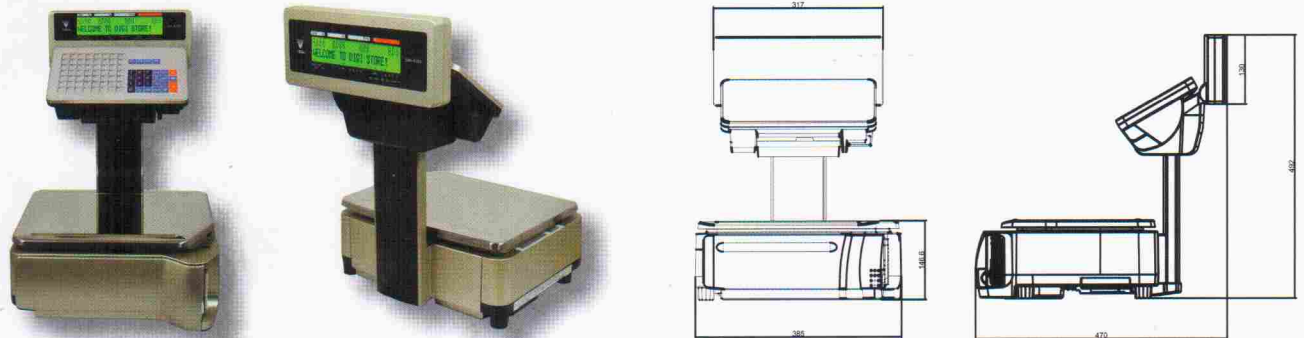
SM-5100B



SM-5100P



SM-5100EV



## Basic Specifications

Model	SM-5100B	SM-5100P	SM-5100EV
Capacity	Max 3/6 kg	Max 6/15 kg	Max 15/30 kg
Interval	e = 1/2 g	e = 2/5 g	e = 5/10 g
Display	32 x 202 Full Dot Matrix LCD with Back-Light (Top Row : 5 x 10 Dots / Character , Bottom Row : 7 x 12 Dots / Character )		
Number of Preset Keys	32	56	56
Memory Capacity	1MB ( Standard ) 2MB ( Option )		
Display Resolution	1 / 3,000		
Paper Width	Max 60 mm ( Label ) 60 mm ( Receipt )		
Printing Speed	80 mm/sec ( Label ) 105 mm/sec ( Receipt )		
Label Size	Maximum 60 ( W ) x 220 ( L ) mm		
Power Source	AC 100 / 110 / 220 / 230 / 240 Volts ( 50 / 60 Hz. )		
Operating Temperature	-10 °C to +40 °C		
Standard Interface	RS232C, Ethernet, Cash Drawer I/F		
Optional Interface	Wireless LAN I/F ( IEEE 802.11b/g )		
Dimensions (mm) (W) x (D) x (H)	376 x 445 x 146.6	385 x 445 x 581.7	385 x 470 x 492
Net Weight	10.7kg	12.6kg	14.1kg

\*Specifications are subject to change without prior notice.

### SHANGHAI TERAOKA ELECTRONIC CO., LTD.

TINGLIN INDUSTRY DEVELOPMENTAL ZONE,  
JINSHAN COUNTY, SHANGHAI 201505  
TEL: +86-21-57234888  
FAX: +86-21-57233049  
<http://www.digisystem.com>